

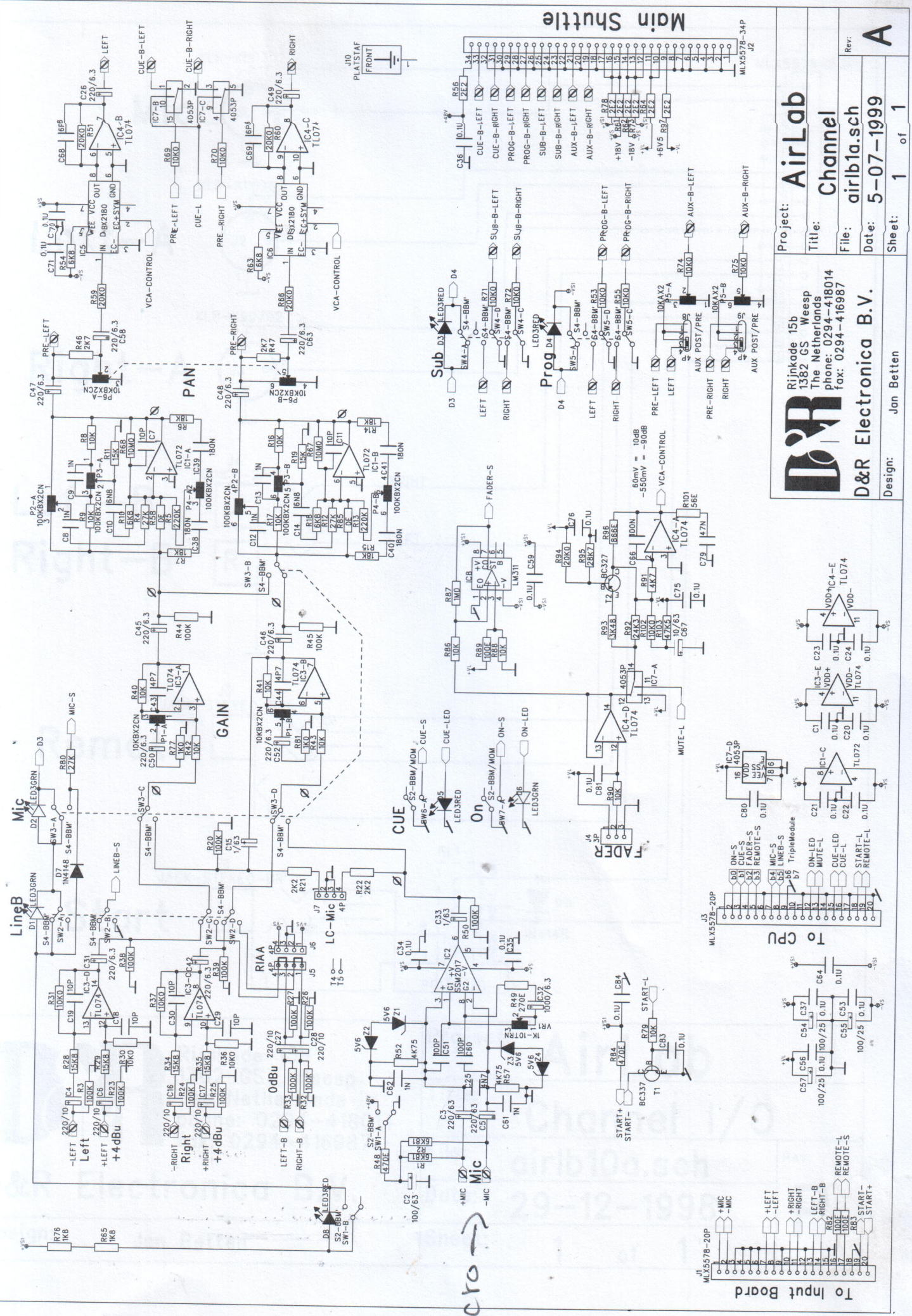
LCD

Enter Esc Up/Yes Down/No

OnAir1 OnAir2

D&R
 Rijnkade 15b
 1382 GS Weesp
 The Netherlands
 phone: 0294-418014
 fax: 0294-416987

Design: Jan Betten
 Project: **AirLab**
 Title: **Blok**
 File: **airlab.sch**
 Date: **08-09-1998**
 Rev: **P**
 Sheet: **1** of **1**

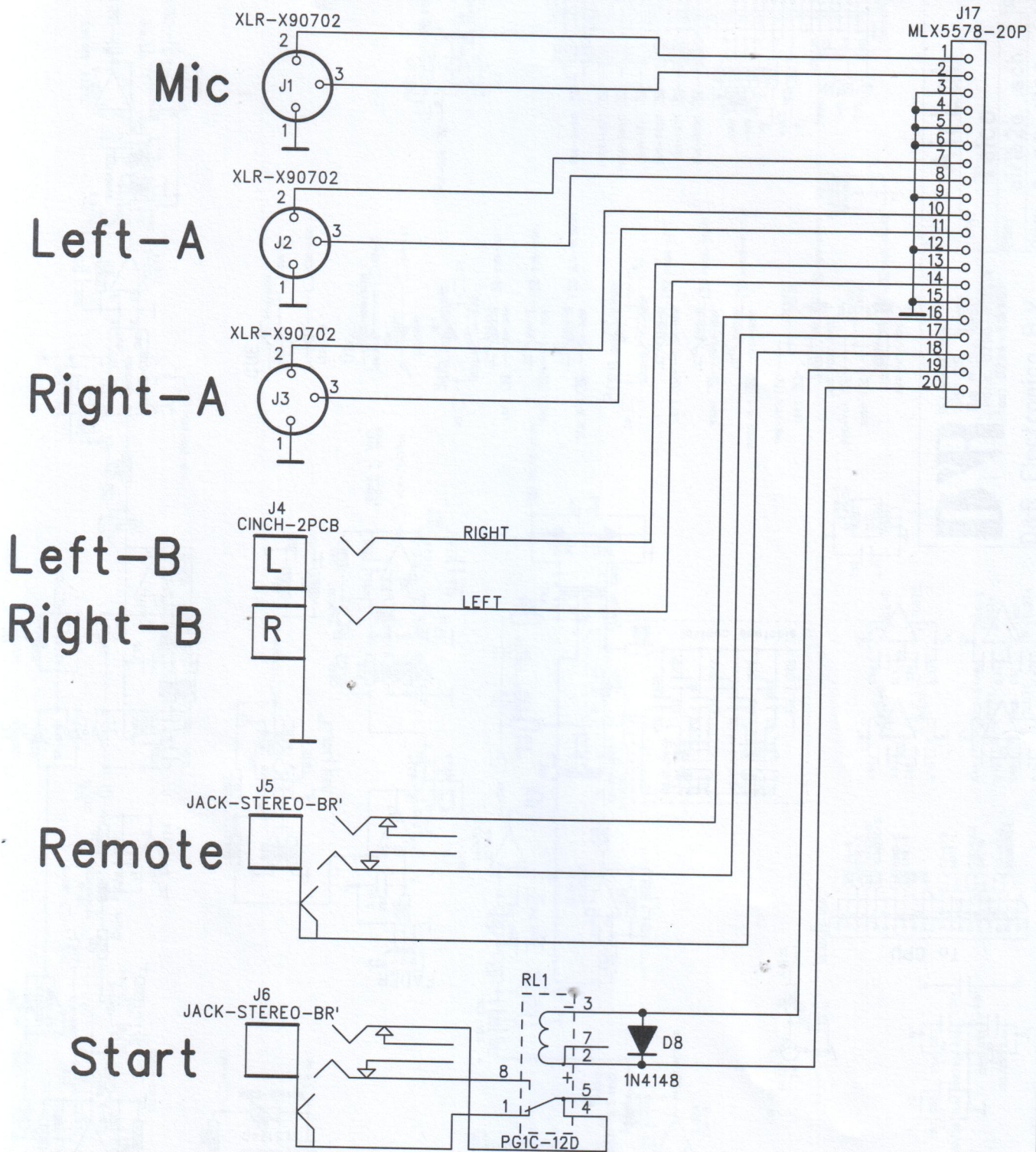


Project: **AirLab**
 Title: **Channel**
 File: **airlb1a.sch**
 Date: **5-07-1999**
 Sheet: **1 of 1**

Rijnkade 15b
 1382 GS Weesp
 The Netherlands
 phone: 0294-418014
 fax: 0294-416987

D&R
 D&R Electronica B.V.
 Design: Jan Betten

Rev: **A**



Rijnkade 15b
 1382 GS Weesp
 The Netherlands
 phone: 0294-418014
 fax: 0294-416987

D&R Electronica B.V.

Design: Jan Betten

Project:

AirLab

Title:

Channel I/O

File:

airlb10a.sch

Date:

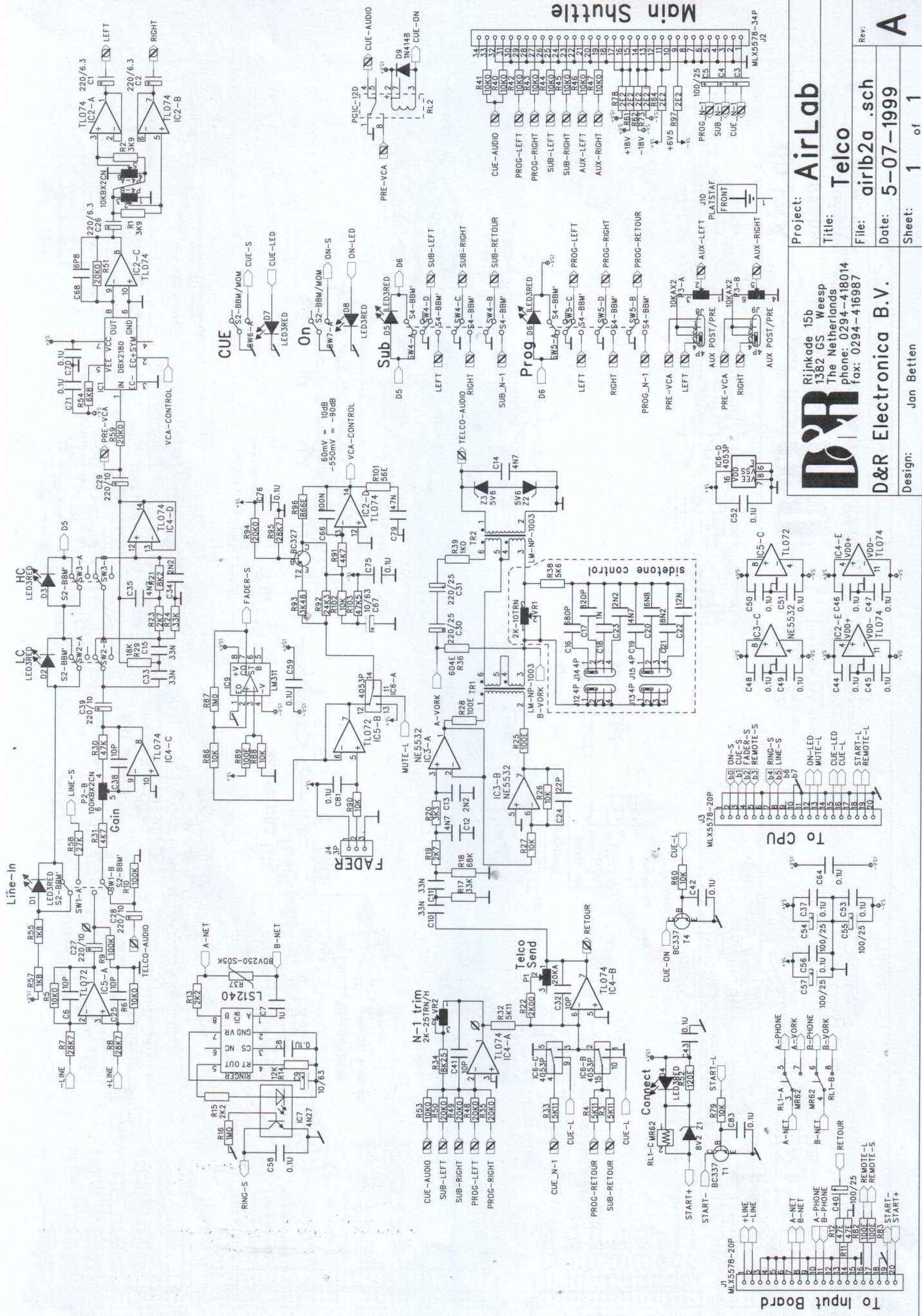
29-12-1998

Sheet:

1 of 1

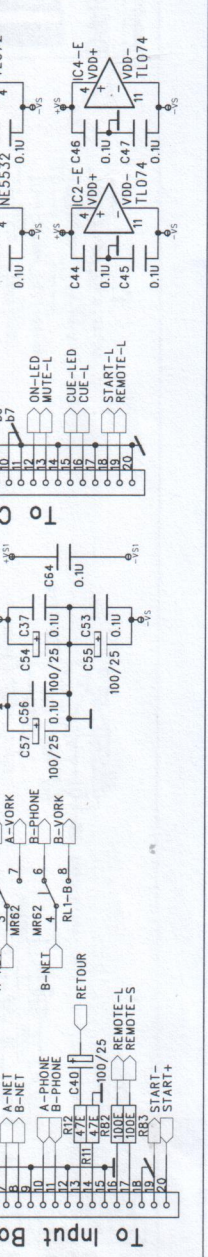
Rev:

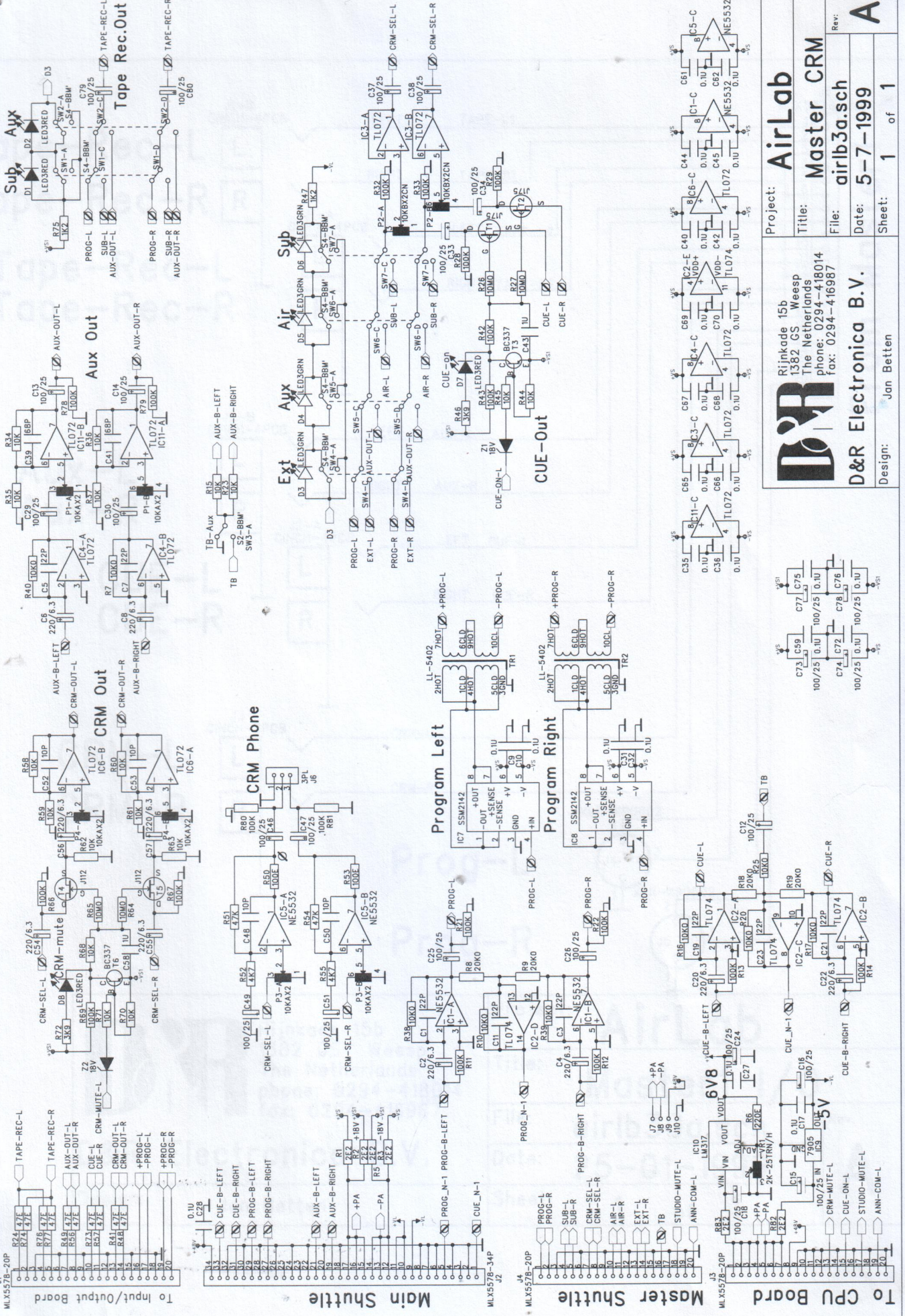
P



Project: **AirLab**
 Title: **Telco**
 File: **airlib2a .sch**
 Date: **5-07-1999**
 Sheet: **1** of **1**

D&R
 Rijnkade 15b
 1382 GS Weesp
 The Netherlands
 phone: 0294-418014
 fax: 0294-416887
D&R Electronica B.V.
 Design: **Jan Betten**





D&R

Project: AirLab
Title: Master CRM
File: airib3a.sch
Date: 5-7-1999
Sheet: 1 of 1

Rijnkade 15b
 1382 GS Weesp
 The Netherlands
 phone: 0294-418014
 fax: 0294-416987

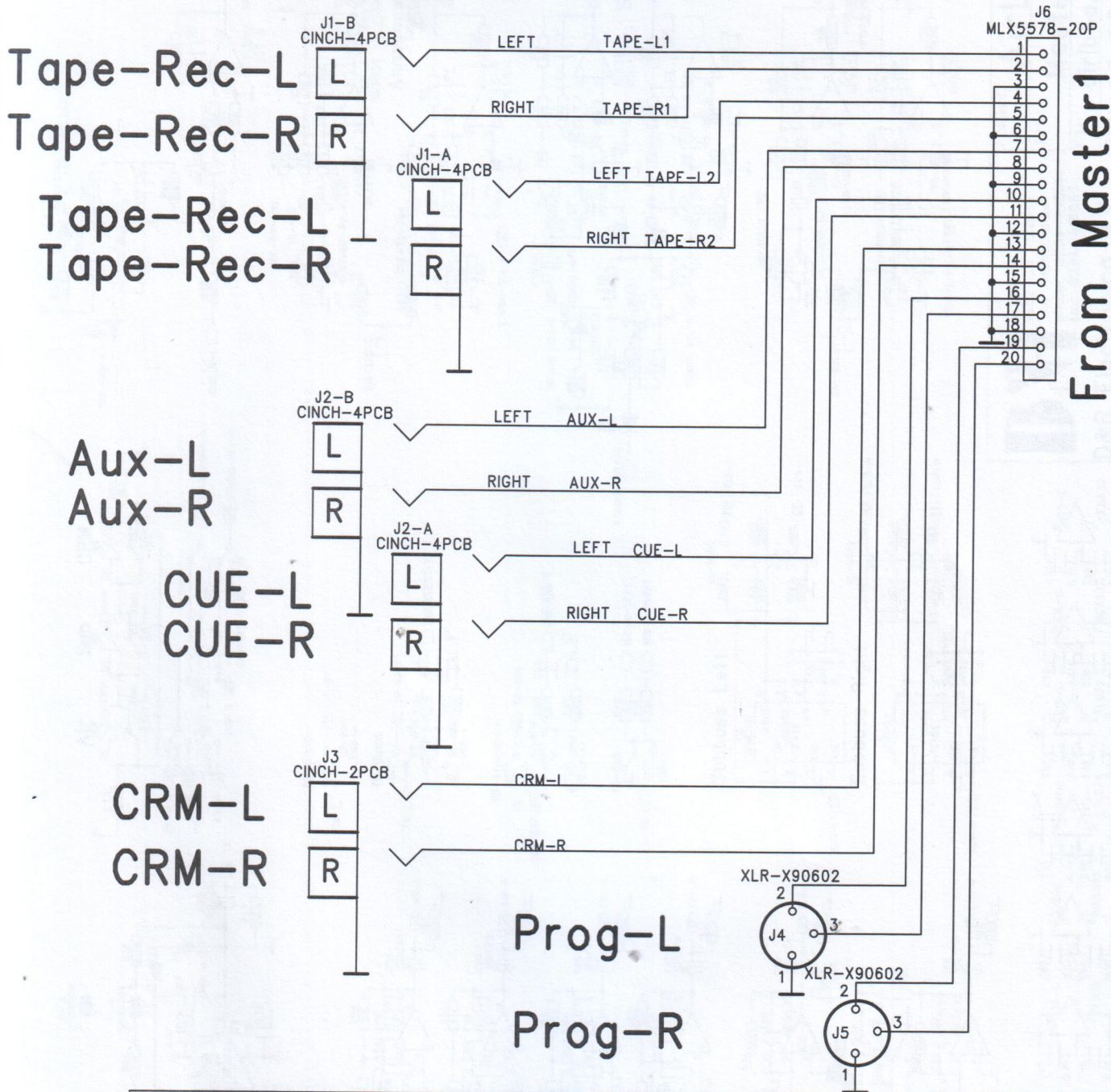
D&R Electronica B.V.
 Design: Jan Betten

To CPU Board

Master Shuttle

Main Shuttle

To Input/Output Board



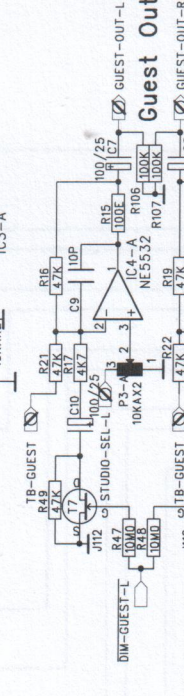
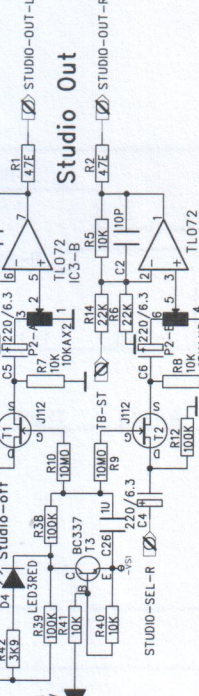
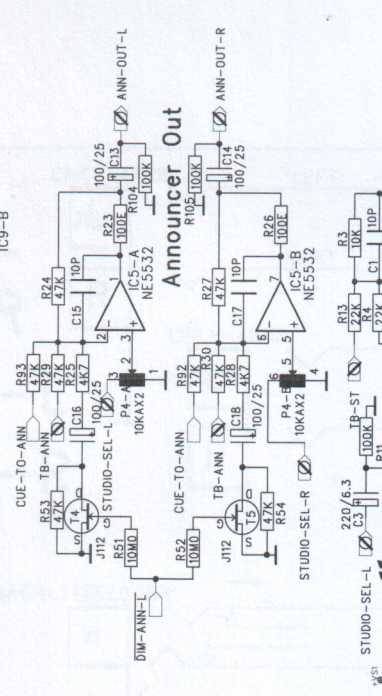
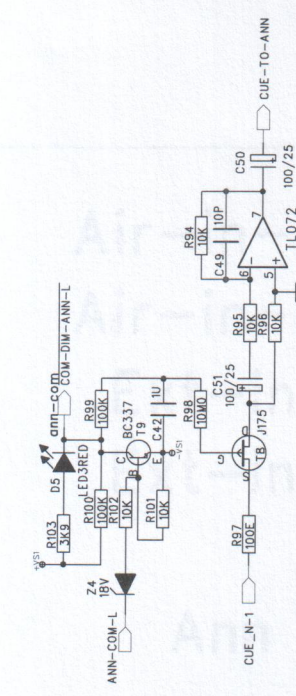
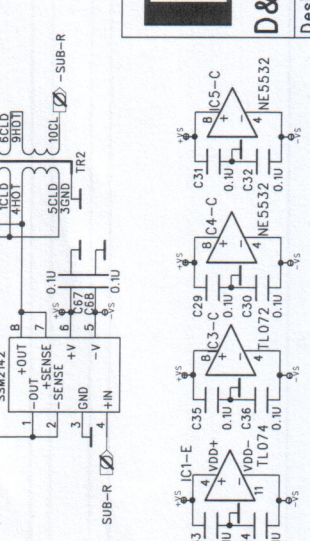
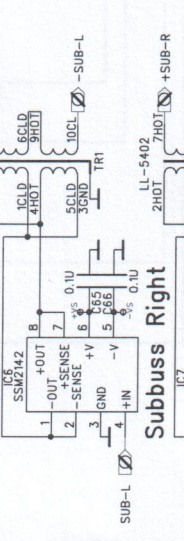
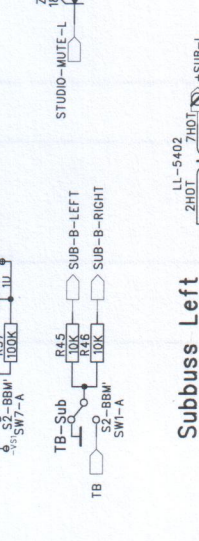
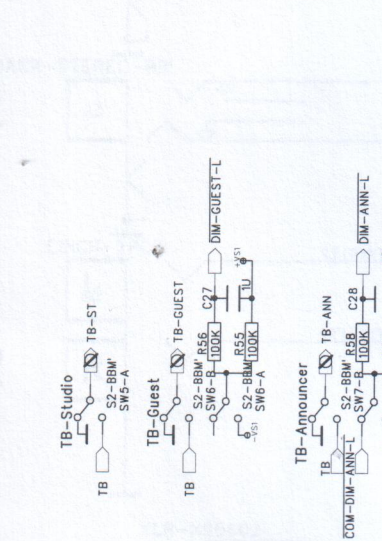
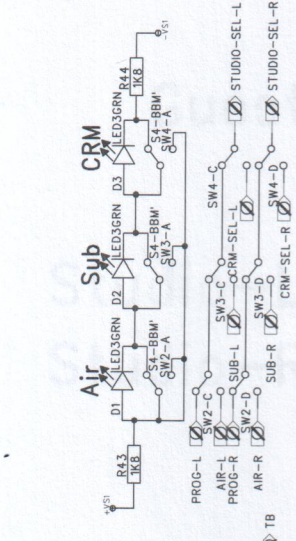
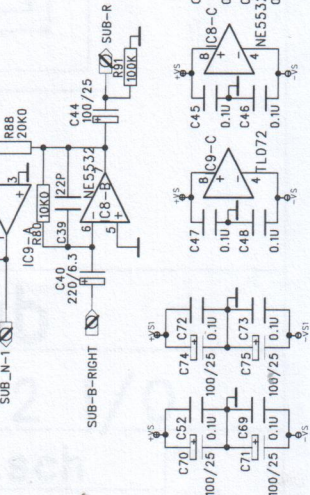
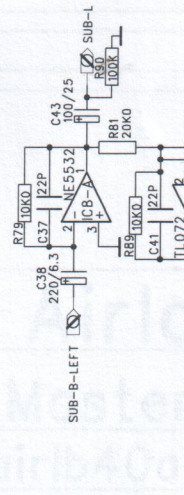
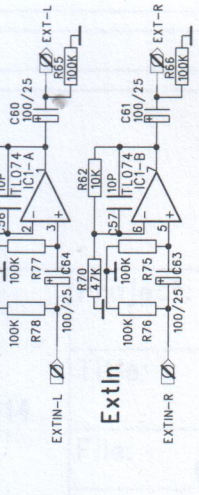
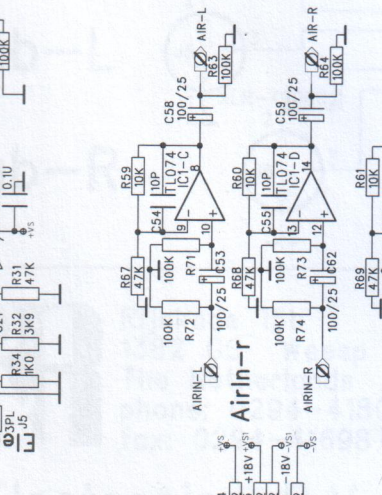
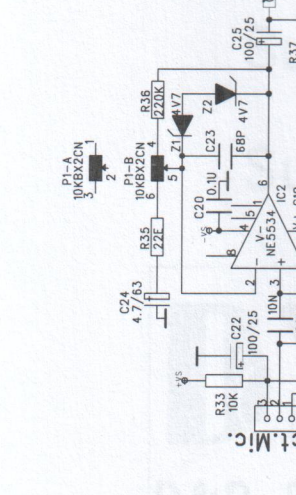
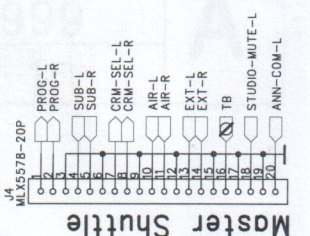
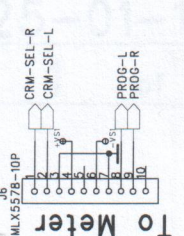
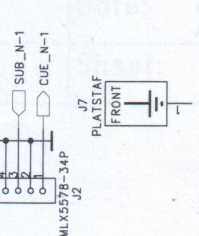
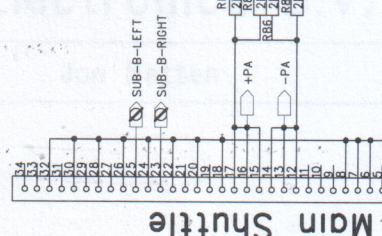
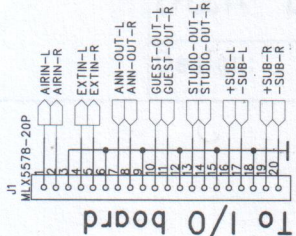
From Master1

D&R Rijkade 15b
 1382 GS Weesp
 The Netherlands
 phone: 0294-418014
 fax: 0294-416987

D&R Electronica B.V.

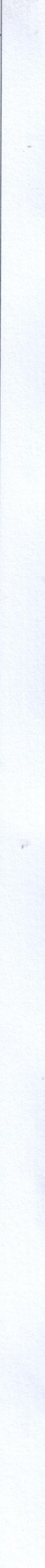
Design: Jan Betten

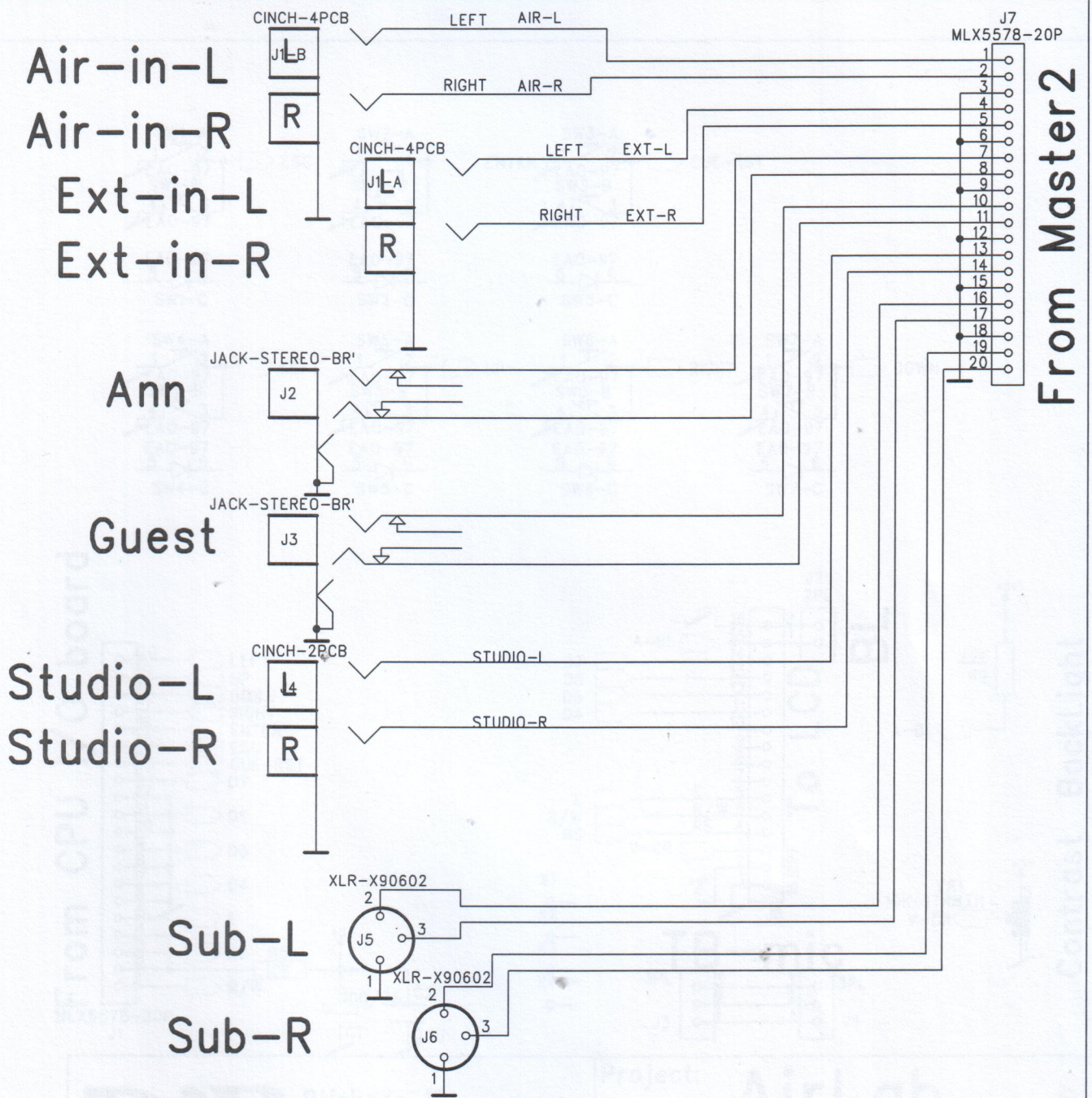
Project: AirLab	
Title: Master1 I/O	
File: airlb30a.sch	Rev: A
Date: 25-01-1999	
Sheet: 1 of 1	




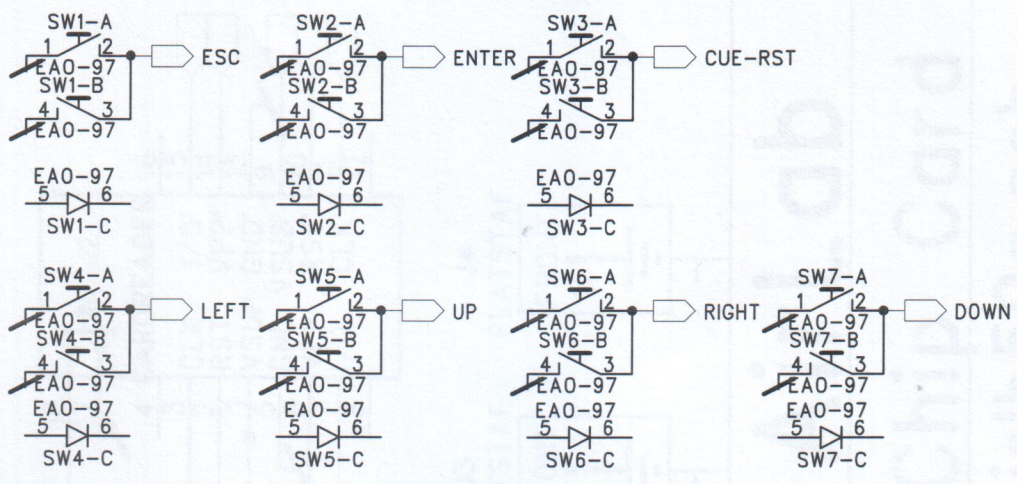
Project: **AirLab**
 Title: **Master Studio**
 File: **airlab4a.sch**
 Date: **07-05-1999**
 Sheet: **1** of **1**

D&R
 Riinkade 15b
 1382 GS Weesp
 The Netherlands
 phone: 0294-418014
 fax: 0294-416987
D&R Electronica B.V.
 Design: Jan Betten

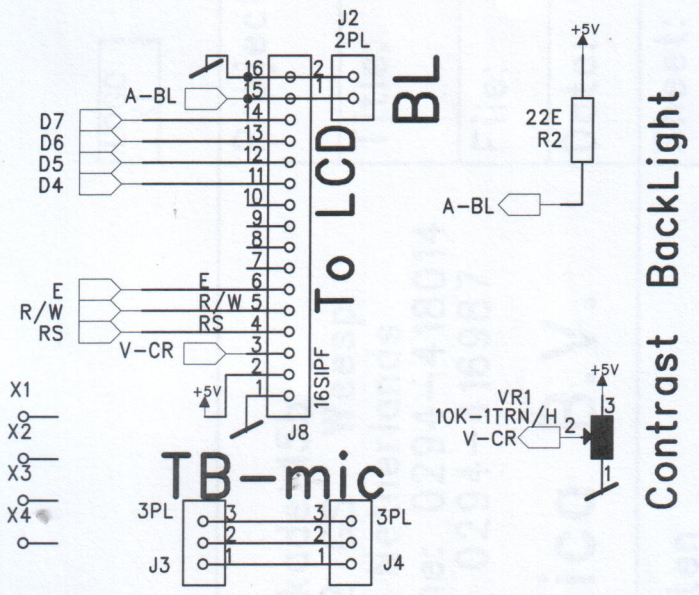
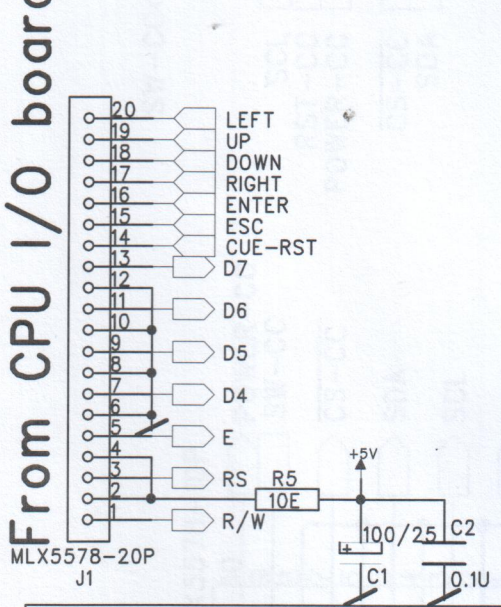




 <p>Rijkade 15b 1382 GS Weesp The Netherlands phone: 0294-418014 fax: 0294-416987</p> <p>D&R Electronica B.V.</p> <p>Design: Jan Betten</p>	Project: Airlab	<p>Rev: A</p>
	Title: Master2 I/O	
	File: airlb40a.sch	
	Date: 25-01-1999	
	Sheet: 1 of 1	



From CPU I/O board



D&R Rijnkade 15b
 1382 GS Weesp
 The Netherlands
 phone: 0294-418014
 fax: 0294-416987

D&R Electronica B.V.

Design: Jan Betten

Project: **AirLab**

Title: **Display Sw**

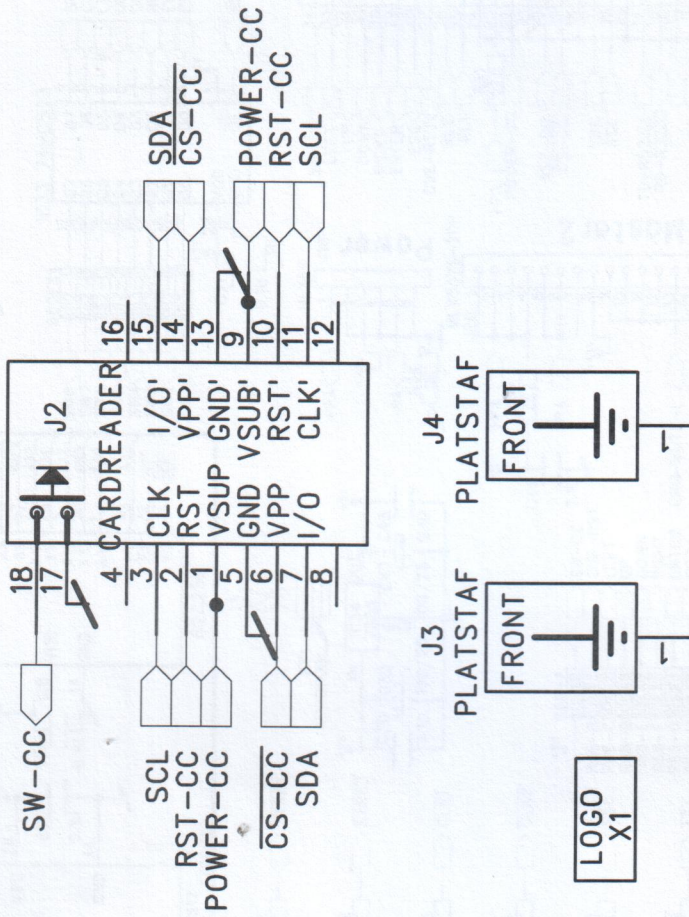
File: **airlb5a.sch**

Date: **25-01-1999**

Sheet: **1 of 1**

Rev: **A**

From CPU I/O Board



Rijnkade 15b
1382 GS Weesp
The Netherlands
phone: 0294-418014
fax: 0294-416987

D&R Electronica B.V.

Design: Jan Betten

Project: **AirLab**

Title: **Chip Card**

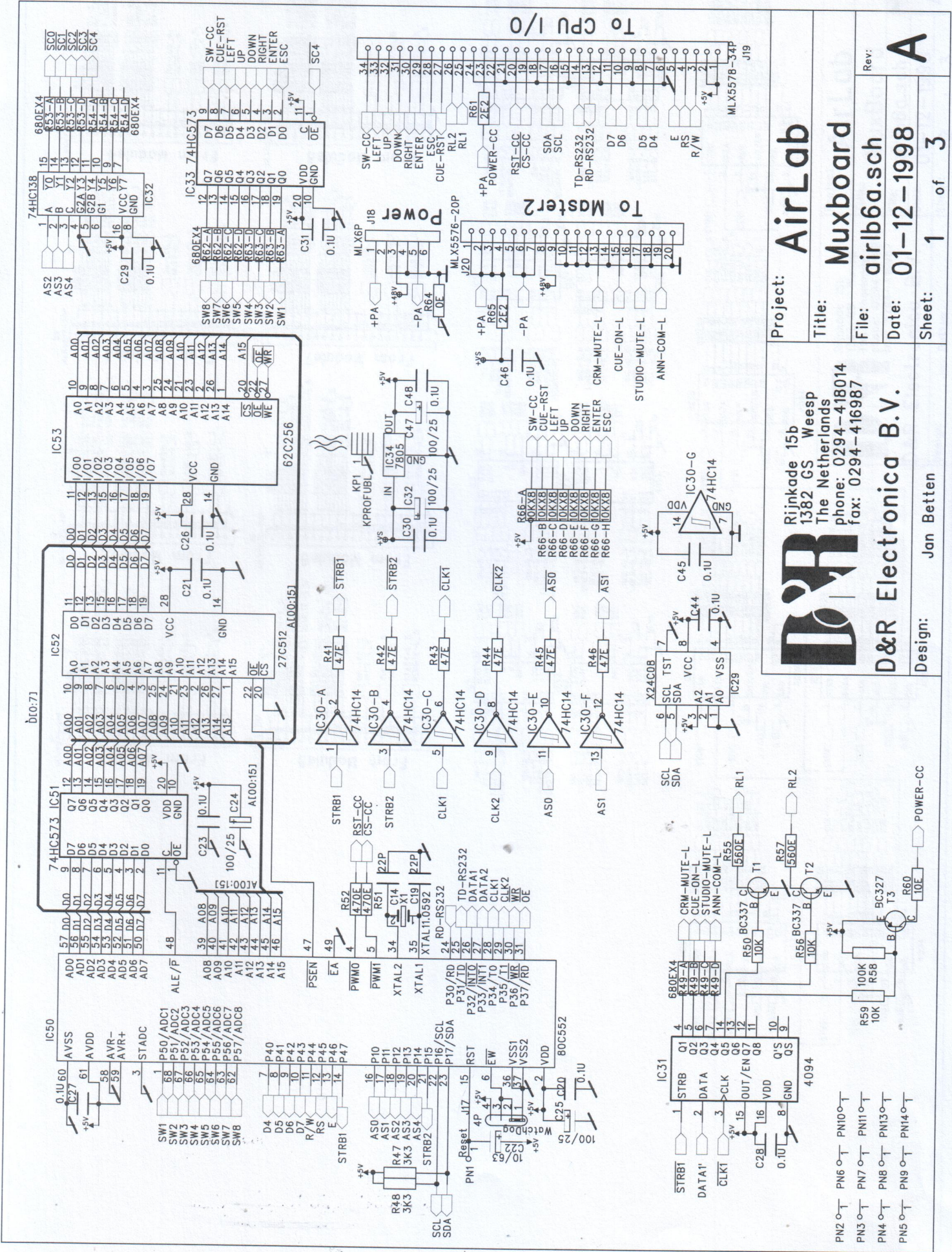
File: **airlb50a.sch**

Date: **25-01-1999**

Sheet: **1** of **1**

Rev:

A

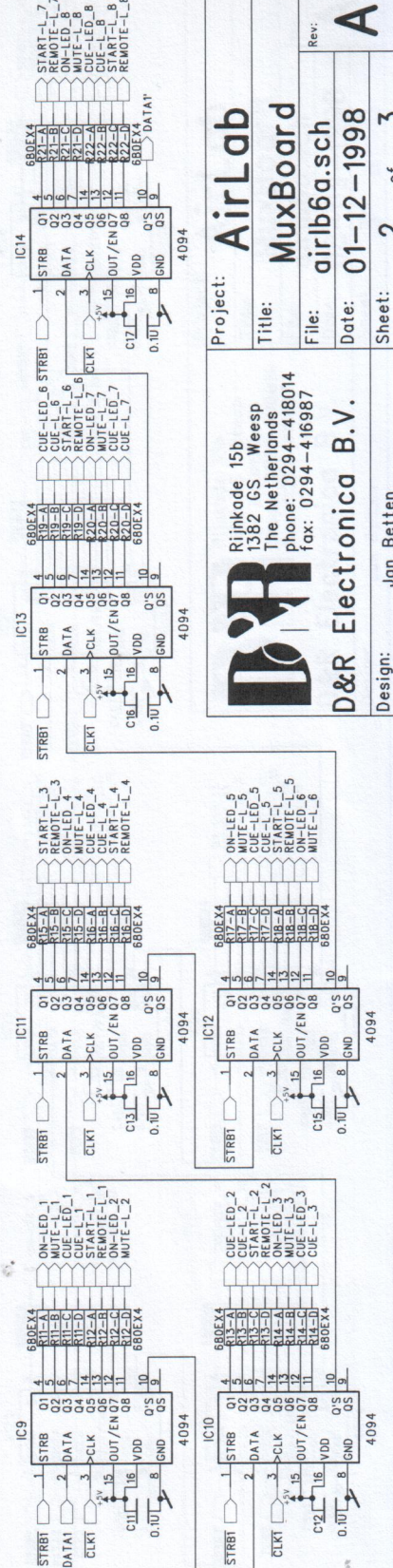
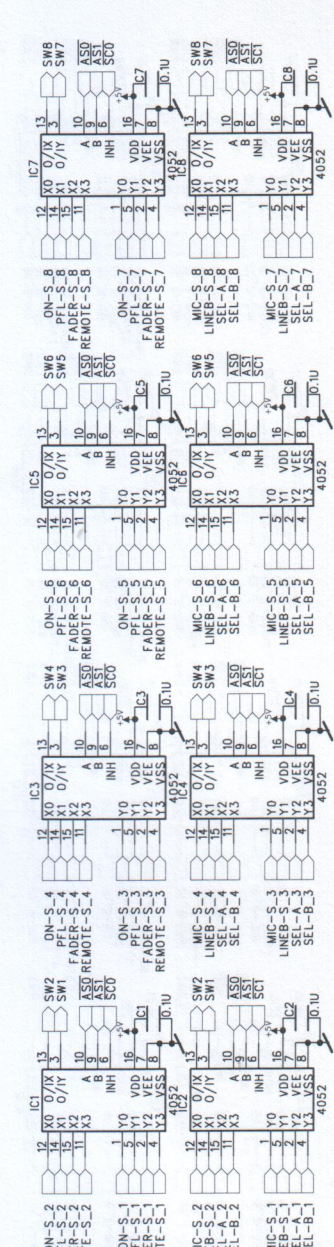
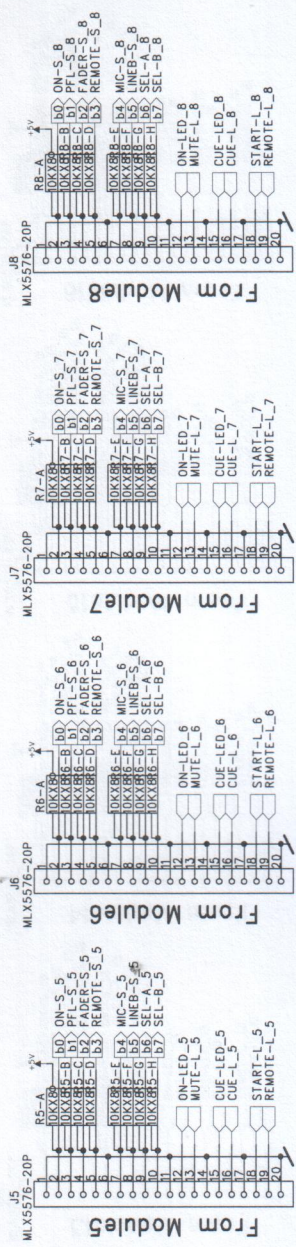
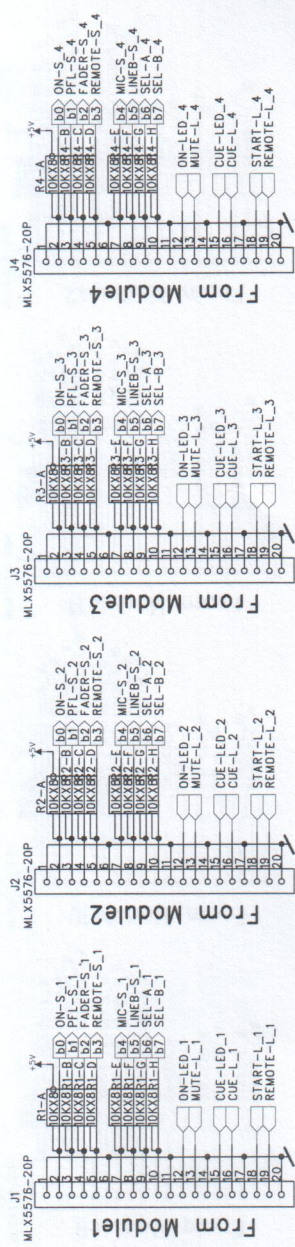


Project: **AirLab**
 Title: **Muxboard**
 File: **airlb6a.sch**
 Date: **01-12-1998**
 Sheet: **1** of **3**

D&R
 Rijnkade 15b
 1382 GS Weesp
 The Netherlands
 phone: 0294-418014
 fax: 0294-416987

Design: **Jon Betten**

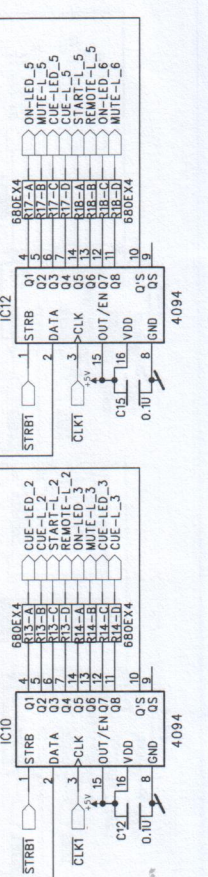
Rev: **A**

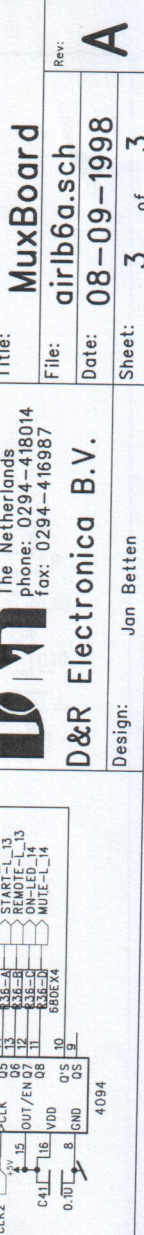
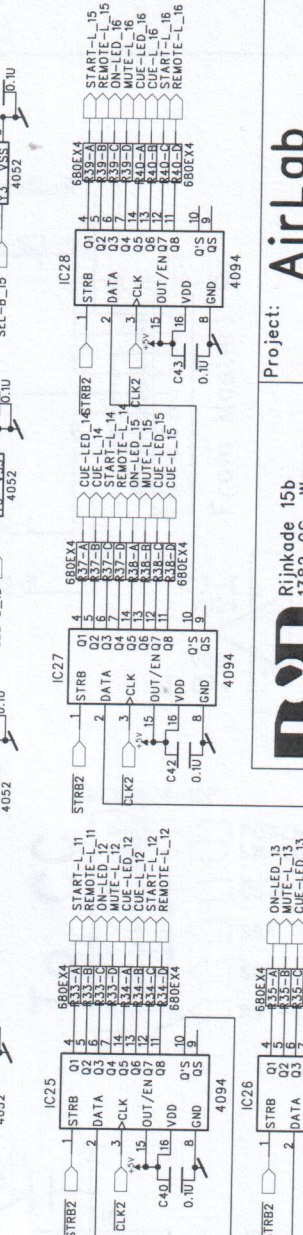
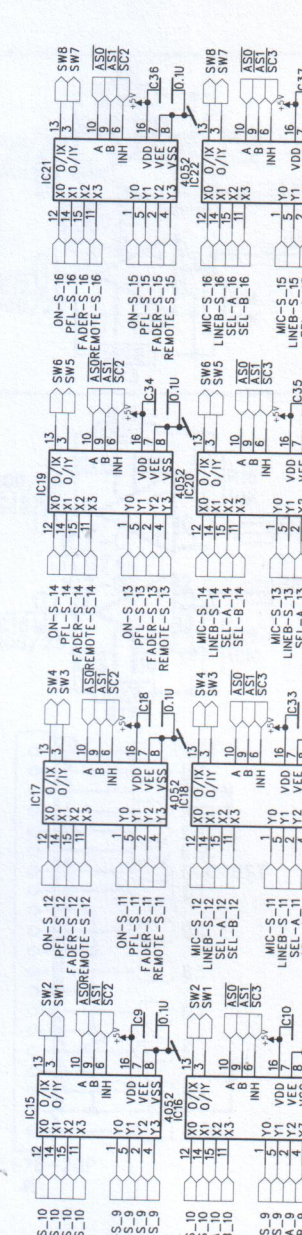
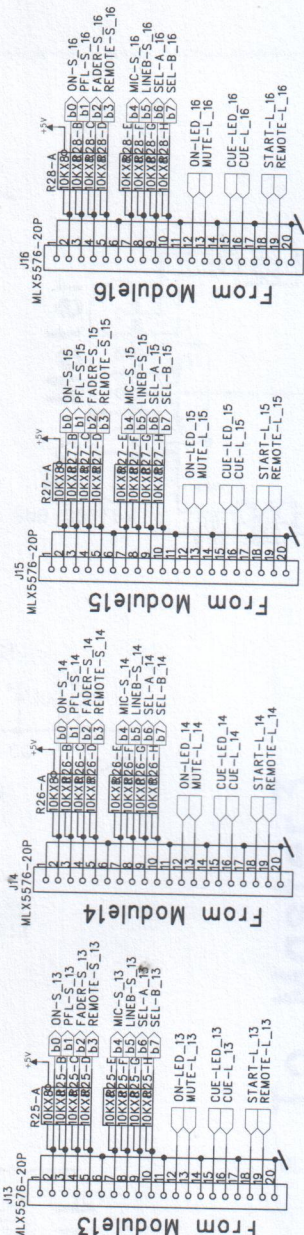
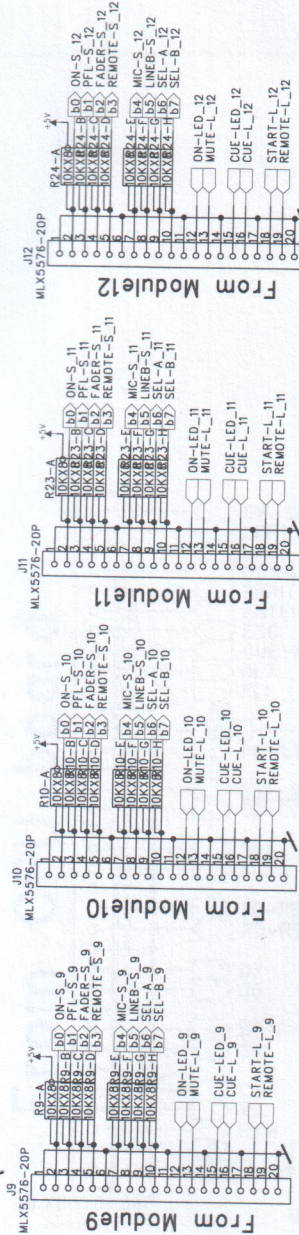


Project: **AirLab**
 Title: **MuxBoard**
 File: **airlb6a.sch**
 Date: **01-12-1998**
 Sheet: **2 of 3**

D&R
 Rijnkade 15b
 1382 GS Weesp
 The Netherlands
 Phone: 0294-418014
 Fax: 0294-416987

D&R Electronica B.V.
 Design: Jan Betten



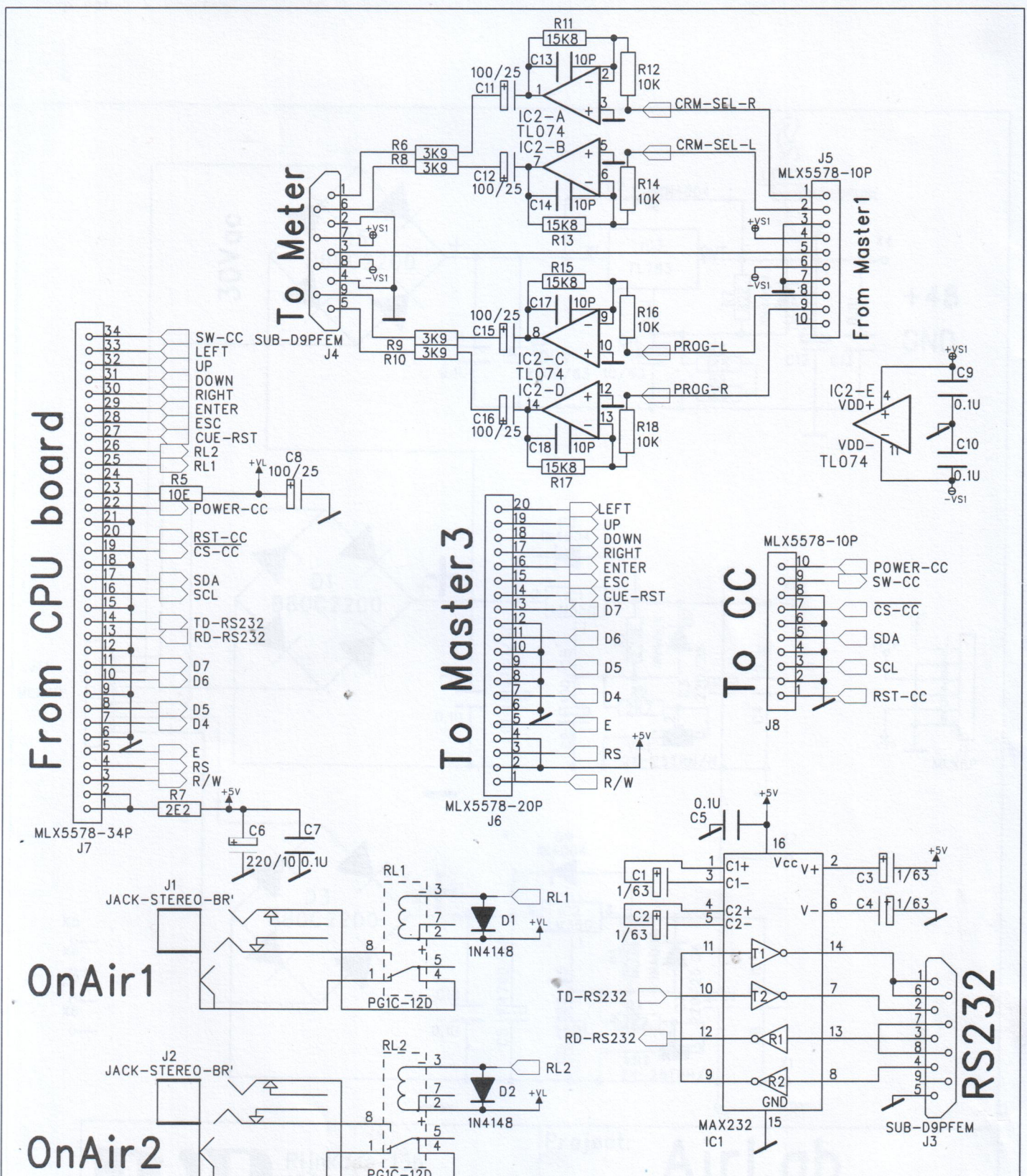


Project: **AirLab**
 Title: **MuxBoard**
 File: **airlb6a.sch**
 Date: **08-09-1998**
 Sheet: **3 of 3**

D&R
 Rijnkade 15b
 1382 GS Weesp
 The Netherlands
 phone: 0294-418014
 fax: 0294-416987

Design: **Jan Betten**

Rev: **A**



From CPU board

To Meter

To Master3


To CC

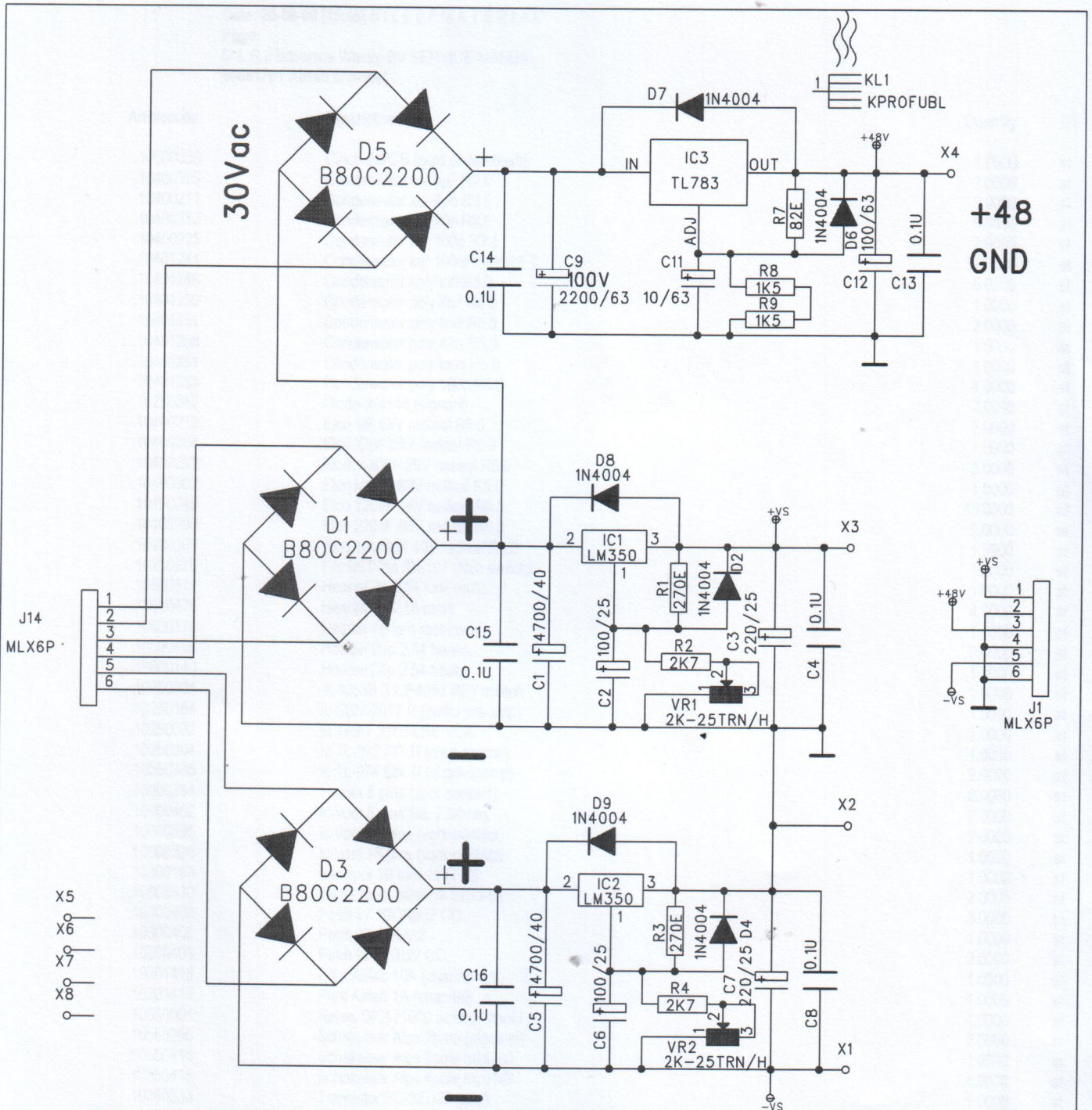
From Master1

OnAir1

OnAir2

RS232

 <p>Rijnkade 15b 1382 GS Weesp The Netherlands phone: 0294-418014 fax: 0294-416987</p> <p>D&R Electronica B.V.</p> <p>Design: Jan Betten</p>	Project:	AirLab	
	Title:	CPU I/O	
	File:	airlb60a.sch	Rev:
	Date:	27-01-1999	A
	Sheet:	1 of 1	



D&R Rijkade 15b
 1382 GS Weesp
 The Netherlands
 phone: 0294-418014
 fax: 0294-416987

D&R Electronica B.V.

Design: Jan Betten

Project: **AirLab**

Title: **Power**

File: **airlb7p.sch**

Date: **11-03-1999**

Sheet: **1 of 1**

Rev: **P**